



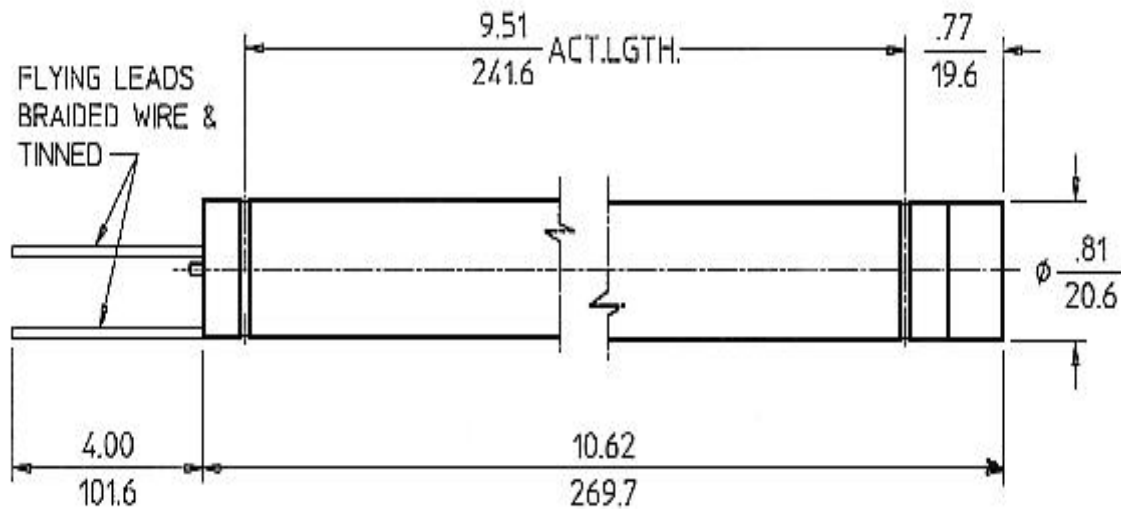
78017 Gamma Detector

GENERAL SPECIFICATIONS

Gas filling	Ne + Halogen
Cathode material	446 Stainless Steel
Maximum length (inch/mm)	10.62/269.7
Effective length (inch/mm)	9.51/241.6
Maximum diameter (inch/mm)	0.81/20.6
Connector	Flying Lead
Operating temperature range °C	-40 to +75
Effective diameter (inch/mm)	0.786/20.0

ELECTRICAL SPECIFICATIONS

Recommended anode resistor (meg ohm)	3.3
Maximum starting voltage (volts)	400
Recommended operating voltage (volts)	500
Operating voltage range (volts)	450-650
Maximum plateau slope (%/100 volts)	10
Minimum dead time (micro sec)	200
Gamma sensitivity Co60 (cps/mr/hr)	160
Tube capacitance (pf)	3
Weight (grams)	140
Maximum background shielded 50mm Pb + 3mm Al (cpm)	90
Minimum anode resistor (meg ohm)	2.7



GAMMA SENSITIVITY

TUBE TYPE - 78017

