
72514 Thin Wall Beta-Gamma Detector

GENERAL SPECIFICATIONS

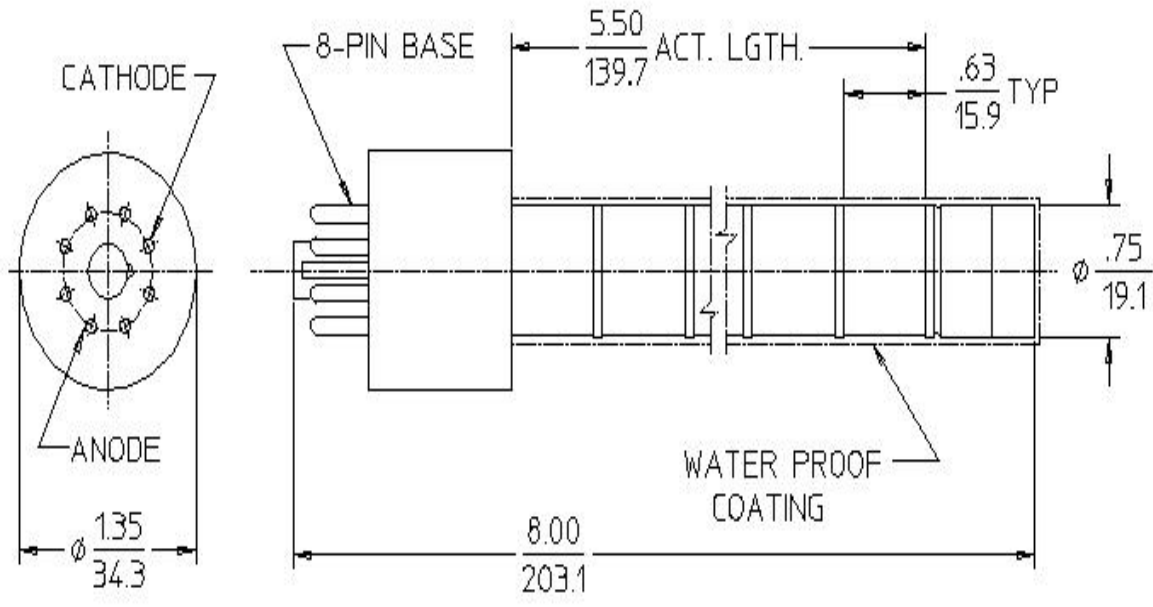
Gas filling	Ne +Halogen
Cathode material	446 Stainless Steel
Maximum length (inch/mm)	8.0/203.2
Effective length (inch/mm)	5.5/140.0
Maximum diameter (inch/mm)	1.35/34.3
Effective diameter (inch/mm)	0.73/18.5
Connector	8 Pin Octal Base
Operating temperature range °C	-40 to +75

ELECTRICAL SPECIFICATIONS

Recommended anode resistor (meg ohm)	3.3
Minimum anode resistor (meg ohm)	2.2
Recommended operating voltage (volts)	675
Operating voltage range (volts)	600 - 800
Maximum plateau slope (%/100 volts)	6
Minimum dead time (micro sec)	50
Gamma sensitivity Co60 (cps/mr/hr)	90
Tube capacitance (pf)	4
Weight (grams)	35
Maximum background shielded 50mm Pb + 3mm Al (cpm)	65
Maximum starting voltage (volts)	500

WALL SPECIFICATIONS

Areal density (mg/cm ²)	40 - 60
Thickness (inch/mm)	0.003/0.076



GAMMA SENSITIVITY

TUBE TYPE - 72514

