
719 Thin Wall Beta-Gamma Detector

GENERAL SPECIFICATIONS

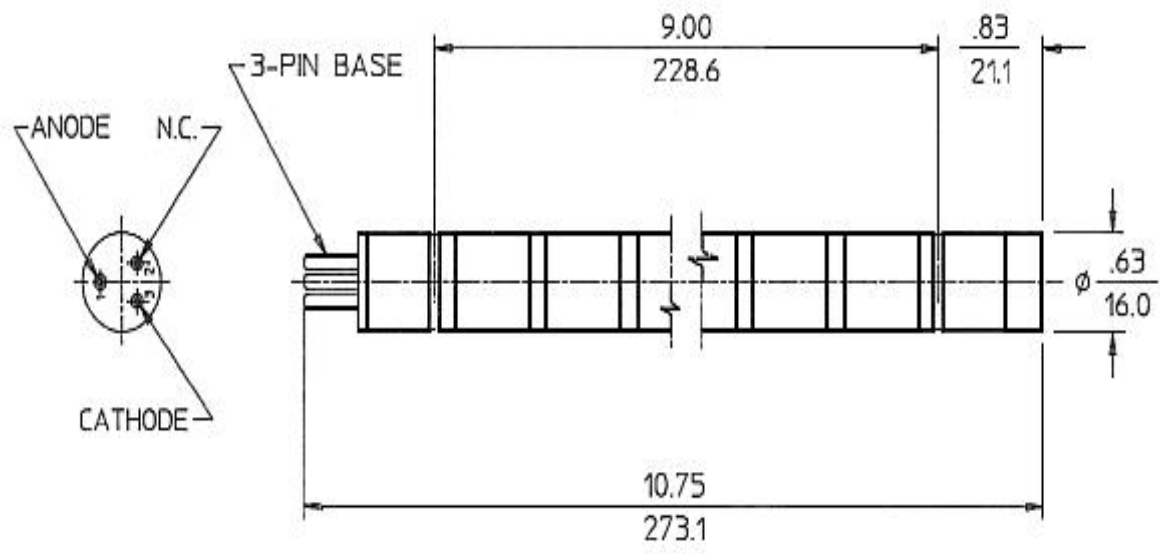
Gas filling	Ne +Halogen
Cathode material	446 Stainless Steel
Maximum length (inch/mm)	10.75/273.1
Effective length (inch/mm)	9.0/228.6
Maximum diameter (inch/mm)	0.63/16.0
Effective diameter (inch/mm)	0.61/15.5
Connector	Jedec A3-1
Operating temperature range °C	-40 to +75

ELECTRICAL SPECIFICATIONS

Recommended anode resistor (meg ohm)	1
Recommended operating voltage (volts)	900
Operating voltage range (volts)	850 - 1000
Maximum plateau slope (%/100 volts)	10
Minimum dead time (micro sec)	100
Gamma sensitivity Co60 (cps/mr/hr)	90
Tube capacitance (pf)	4
Weight (grams)	26
Maximum background shielded 50mm Pb + 3mm Al (cpm)	75
Maximum starting voltage (volts)	800

WALL SPECIFICATIONS

Areal density (mg/cm ²)	40-60
Thickness (inch/mm)	0.003/0.076



GAMMA SENSITIVITY

TUBE TYPE - 719

