



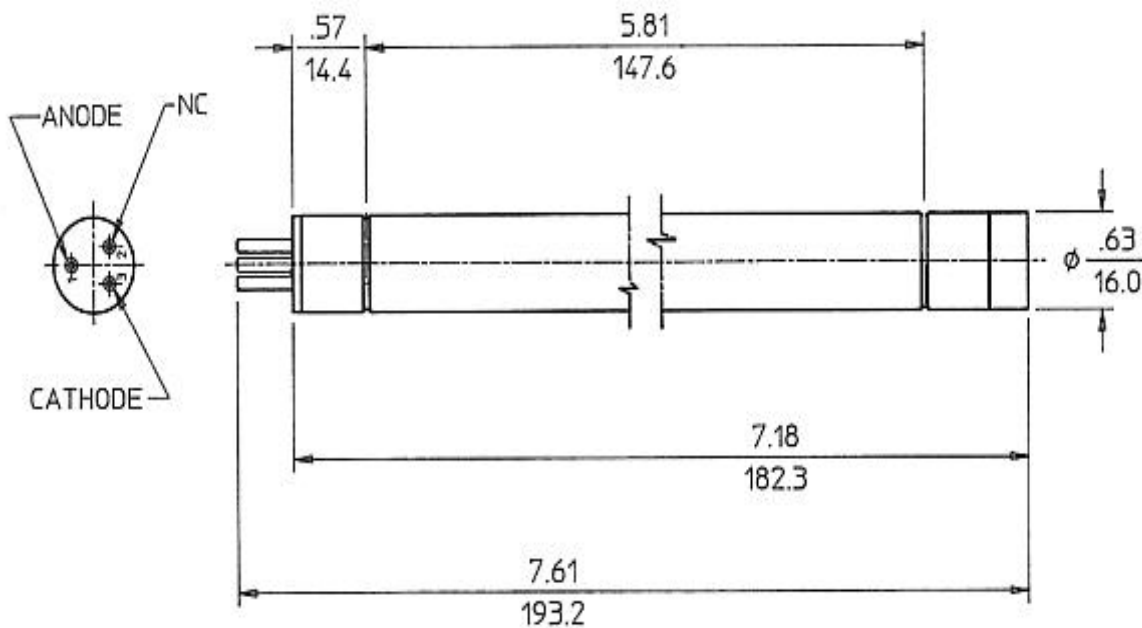
743 Gamma Detector

GENERAL SPECIFICATIONS

Gas filling	Ne +Halogen
Cathode material	446 Stainless Steel
Maximum length (inch/mm)	7.61/193.2
Effective length (inch/mm)	5.81/147.6
Maximum diameter (inch/mm)	0.63/16.0
Connector	JEDEC A3-1
Operating temperature range °C	-55 to +75
Effective diameter (inch/mm)	0.61/15.5

ELECTRICAL SPECIFICATIONS

Recommended anode resistor (meg ohm)	1
Maximum starting voltage (volts)	800
Recommended operating voltage (volts)	900
Operating voltage range (volts)	850 - 1000
Maximum plateau slope (%/100 volts)	15
Minimum dead time (micro sec)	75
Gamma sensitivity Co60 (cps/mr/hr)	60
Tube capacitance (pf)	3
Weight (grams)	24
Maximum background shielded 50mm Pb + 3mm Al (cpm)	50



GAMMA SENSITIVITY

TUBE TYPE - 743

