

73118 Pancake Mica Window-Alpha-Beta-Gamma Detector***GENERAL SPECIFICATIONS***

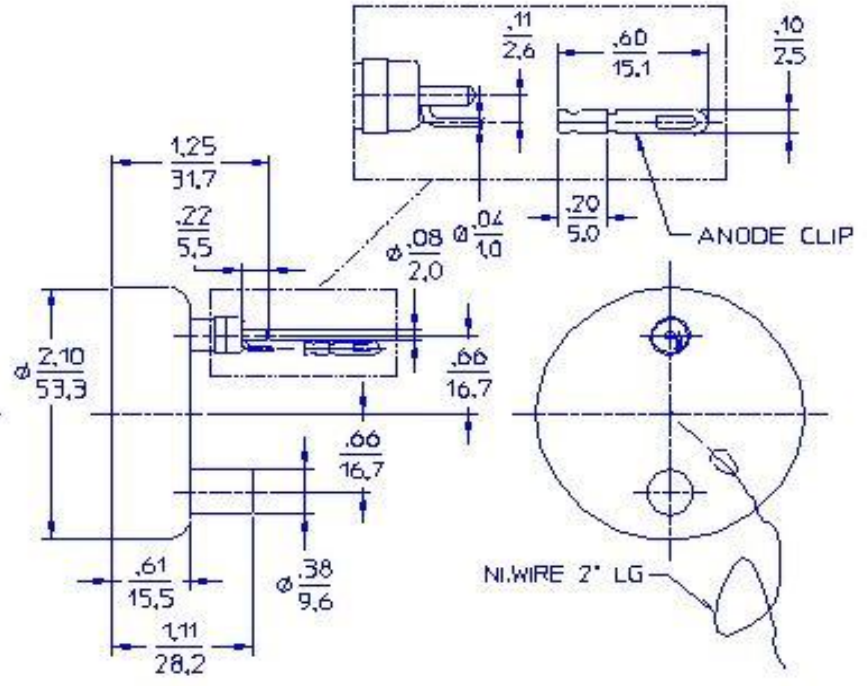
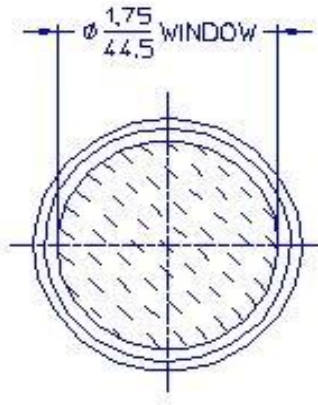
| | |
|--------------------------------|---------------------|
| Gas filling | Ne +Halogen |
| Cathode material | 446 Stainless Steel |
| Maximum length (inch/mm) | 1.25/31.7 |
| Effective depth (inch/mm) | 0.5/12.7 |
| Maximum diameter (inch/mm) | 2.10/53.1 |
| Effective diameter (inch/mm) | 1.75/44.5 |
| Connector | Pin |
| Operating temperature range °C | -40 to +75 |

WINDOW SPECIFICATIONS

| | |
|-------------------------------------|-----------|
| Areal density (mg/cm ²) | 1.5-2.0 |
| Effective diameter (inch/mm) | 1.75/44.5 |
| Material | Mica |

ELECTRICAL SPECIFICATIONS

| | |
|--|----------|
| Recommended anode resistor (meg ohm) | 3.3 |
| Maximum starting voltage (volts) | 750 |
| Recommended operating voltage (volts) | 900 |
| Operating voltage range (volts) | 850-1000 |
| Maximum plateau slope (%/100 volts) | 10 |
| Minimum dead time (micro sec) | 20 |
| Gamma sensitivity Co60 (cps/mr/hr) | 60 |
| Tube capacitance (pf) | 3 |
| Weight (grams) | 125 |
| Maximum background shielded 50mm Pb + 3mm Al (cpm) | 30 |



GAMMA SENSITIVITY

TUBE TYPE - 73118

