

**72314 End Window-Alpha-Beta-Gamma Detector*****GENERAL SPECIFICATIONS***

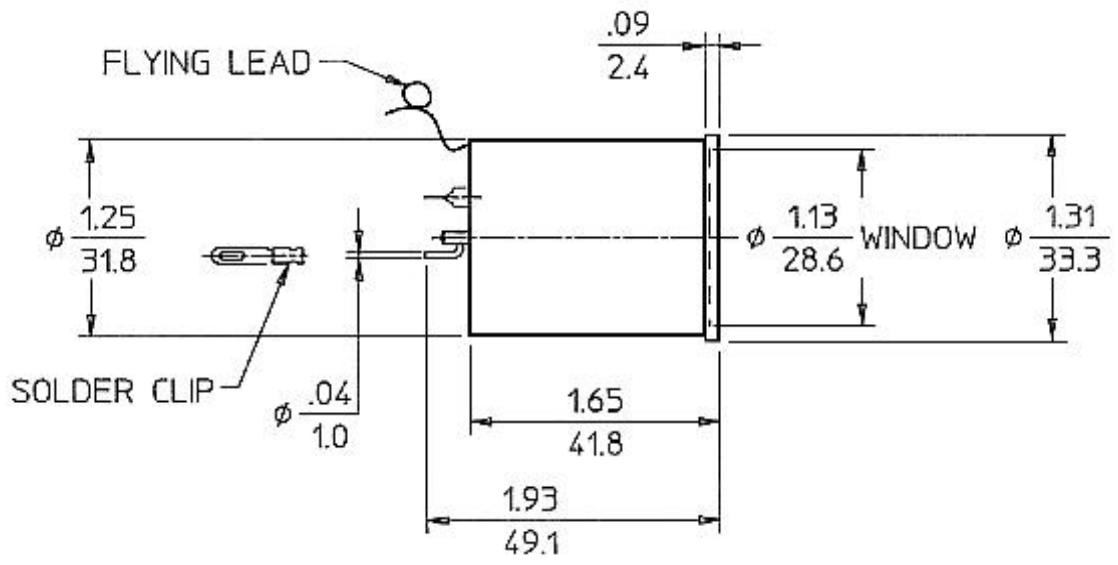
Gas filling	Ne +Halogen
Cathode material	446 Stainless Steel
Maximum length (inch/mm)	1.93/49.1
Effective length (inch/mm)	1.45/36.8
Maximum diameter (inch/mm)	1.31/33.3
Effective diameter (inch/mm)	1.13/28.6
Connector	Pin
Operating temperature range °C	-40 to +75

***WINDOW SPECIFICATIONS***

Areal density (mg/cm <sup>2</sup> )	2.0
Effective diameter (inch/mm)	1.13/28.6
Material	Mica

***ELECTRICAL SPECIFICATIONS***

Recommended anode resistor (meg ohm)	4.7
Maximum starting voltage (volts)	375
Recommended operating voltage (volts)	500
Operating voltage range (volts)	450-700
Maximum plateau slope (%/100 volts)	10
Minimum dead time (micro sec)	230
Gamma sensitivity Co60 (cps/mr/hr)	50
Tube capacitance (pf)	3
Weight (grams)	51
Maximum background shielded 50mm Pb + 3mm Al (cpm)	25
Minimum anode resistor (meg ohm)	3.3



GAMMA SENSITIVITY

TUBE TYPE - 72314

