

72219 End Window-Alpha-Beta-Gamma-Xray Detector***GENERAL SPECIFICATIONS***

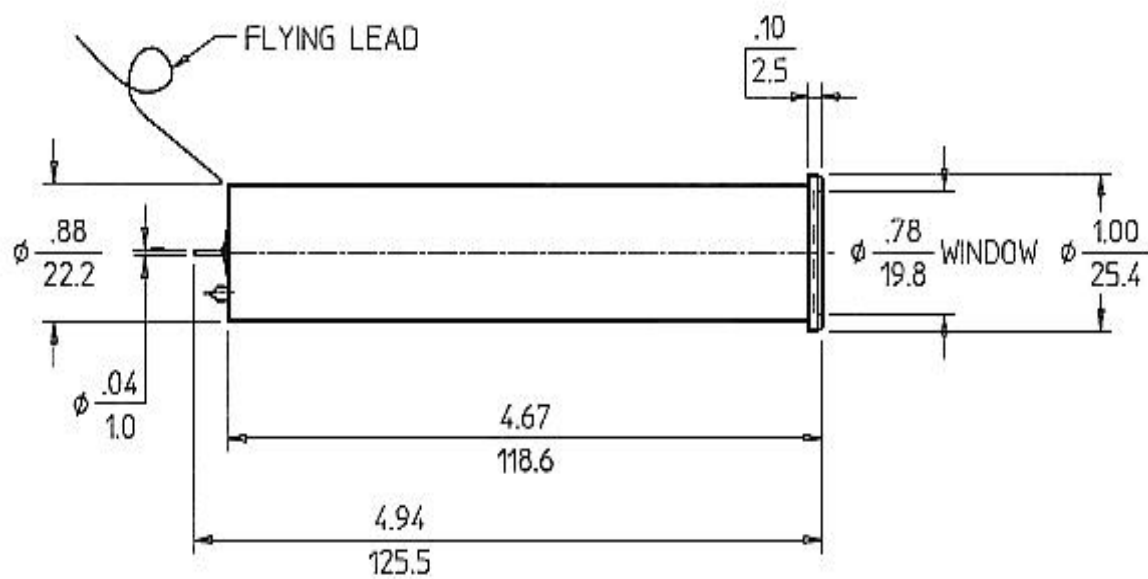
Gas filling	Ar + Halogen
Cathode material	446 Stainless Steel
Maximum length (inch/mm)	4.94/125.5
Effective length (inch/mm)	4.47/113.5
Maximum diameter (inch/mm)	1.0/25.4
Effective diameter (inch/mm)	0.78/19.8
Connector	Pin
Operating temperature range °C	-55 to +75

WINDOW SPECIFICATIONS

Areal density (mg/cm ²)	2.5
Effective diameter (inch/mm)	0.78/19.8
Material	Mica

ELECTRICAL SPECIFICATIONS

Recommended anode resistor (meg ohm)	4.7
Maximum starting voltage (volts)	1450
Recommended operating voltage (volts)	1600
Operating voltage range (volts)	1500-1800
Maximum plateau slope (%/100 volts)	10
Minimum dead time (micro sec)	100
Gamma sensitivity Co60 (cps/mr/hr)	45
Tube capacitance (pf)	3
Weight (grams)	75
Maximum background shielded 50mm Pb + 3mm Al (cpm)	45
Minimum anode resistor (meg ohm)	3.3



GAMMA SENSITIVITY

TUBE TYPE - 72219

