
723 End Window-Alpha-Beta-Gamma Detector

GENERAL SPECIFICATIONS

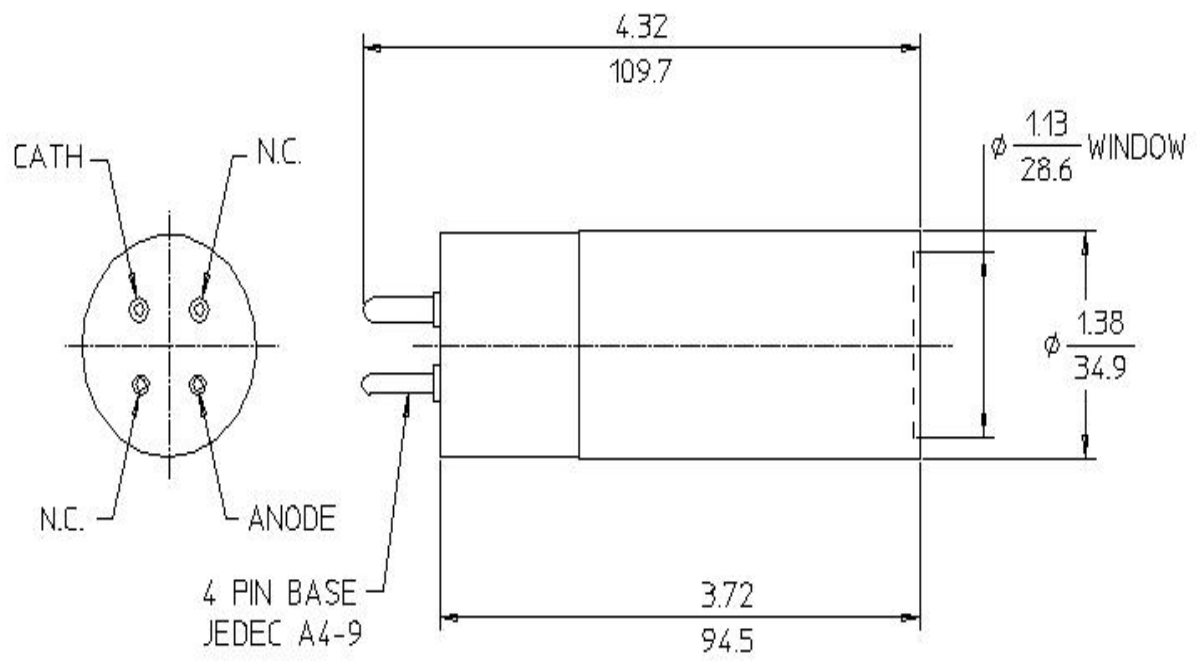
Gas filling	Ne +Halogen
Cathode material	446 Stainless Steel
Maximum length (inch/mm)	4.32/109.7
Effective length (inch/mm)	2.6/66.0
Maximum diameter (inch/mm)	1.38/34.9
Effective diameter (inch/mm)	1.13/28.6
Connector	Jedec A4-9
Operating temperature range °C	-40 to +75

WINDOW SPECIFICATIONS

Areal density (mg/cm ²)	2.0
Effective diameter (inch/mm)	1.13/28.6
Material	Mica

ELECTRICAL SPECIFICATIONS

Recommended anode resistor (meg ohm)	1
Maximum starting voltage (volts)	800
Recommended operating voltage (volts)	900
Operating voltage range (volts)	850-1000
Maximum plateau slope (%/100 volts)	10
Minimum dead time (micro sec)	150
Gamma sensitivity Co60 (cps/mr/hr)	40
Tube capacitance (pf)	3
Weight (grams)	150
Maximum background shielded 50mm Pb + 3mm Al (cpm)	50



GAMMA SENSITIVITY

TUBE TYPE - 723

