

718 End Window Alpha-Beta-Gamma Detector***GENERAL SPECIFICATIONS***

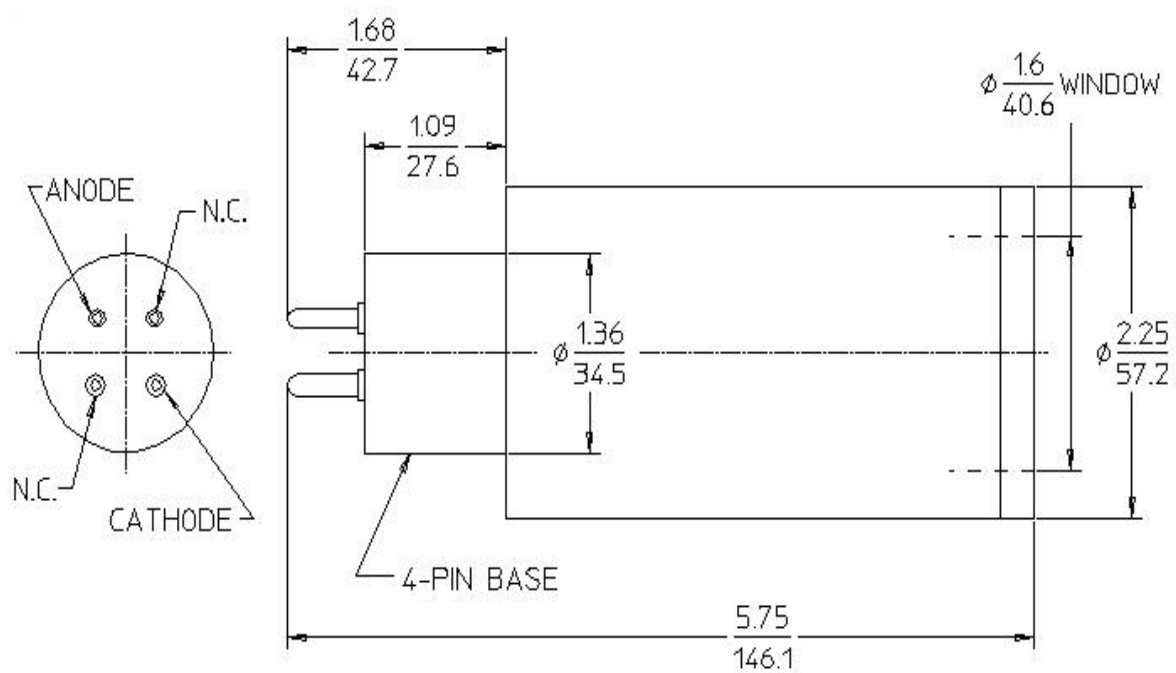
Gas filling	Ne +Halogen
Cathode material	446 Stainless Steel
Maximum length (inch/mm)	5.75/146.1
Maximum diameter (inch/mm)	2.25/57.1
Effective diameter (inch/mm)	1.6/40.6
Connector	Jedec A4-9
Operating temperature range °C	-55 to +75
Effective depth (inch/mm)	4.06/103.12

WINDOW SPECIFICATIONS

Areal density (mg/cm ²)	5.0 - 6.0
Effective diameter (inch/mm)	1.6/40.64
Material	Mica

ELECTRICAL SPECIFICATIONS

Recommended anode resistor (meg ohm)	1
Maximum starting voltage (volts)	750
Recommended operating voltage (volts)	900
Operating voltage range (volts)	800-1050
Maximum plateau slope (%/100 volts)	10
Minimum dead time (micro sec)	300
Gamma sensitivity Co60 (cps/mr/hr)	30
Tube capacitance (pf)	3
Weight (grams)	400
Maximum background shielded 50mm Pb + 3mm Al (cpm)	75



GAMMA SENSITIVITY

TUBE TYPE - 718

