
7242 End Window-Alpha-Beta-Gamma Detector

GENERAL SPECIFICATIONS

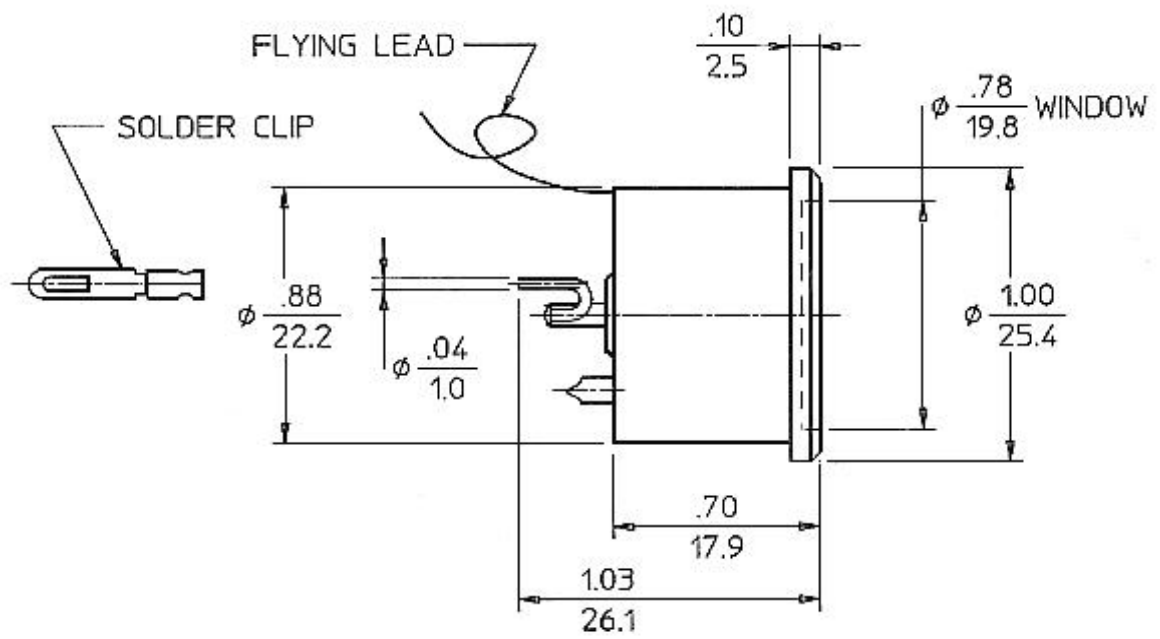
Gas filling	Ne +Halogen
Cathode material	446 Stainless Steel
Maximum length (inch/mm)	1.0/25.4
Effective length (inch/mm)	0.35/8.89
Maximum diameter (inch/mm)	1.0/25.4
Effective diameter (inch/mm)	0.78/19.8
Connector	Pin
Operating temperature range °C	-40 to +75

WINDOW SPECIFICATIONS

Areal density (mg/cm ²)	2.0
Effective diameter (inch/mm)	0.78/19.8
Material	Mica

ELECTRICAL SPECIFICATIONS

Recommended anode resistor (meg ohm)	4.7
Maximum starting voltage (volts)	350
Recommended operating voltage (volts)	500
Operating voltage range (volts)	450-700
Maximum plateau slope (%/100 volts)	8
Minimum dead time (micro sec)	50
Gamma sensitivity Co60 (cps/mr/hr)	12
Tube capacitance (pf)	3
Weight (grams)	18
Maximum background shielded 50mm Pb + 3mm Al (cpm)	8
Minimum anode resistor (meg ohm)	2.2



GAMMA SENSITIVITY

TUBE TYPE - 7242

