
720 Thin Wall Beta-Gamma Detector

GENERAL SPECIFICATIONS

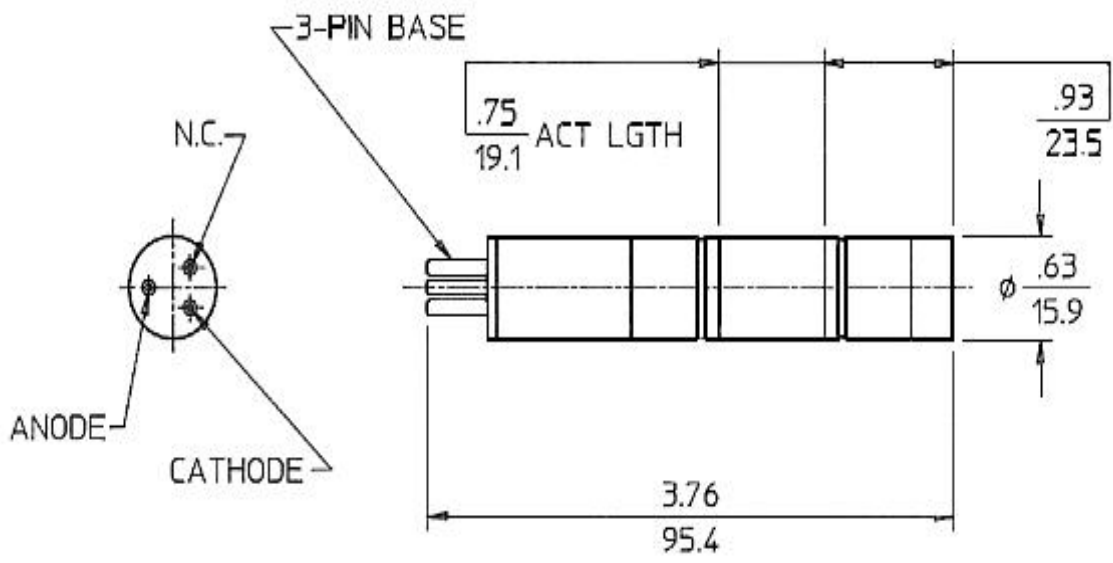
| | |
|--------------------------------|---------------------|
| Gas filling | Ne +Halogen |
| Cathode material | 446 Stainless Steel |
| Maximum length (inch/mm) | 3.76/95.4 |
| Effective length (inch/mm) | 0.75/19.1 |
| Maximum diameter (inch/mm) | 0.63/16.0 |
| Effective diameter (inch/mm) | 0.61/15.5 |
| Connector | Jedec A3-1 |
| Operating temperature range °C | -40 to +75 |

ELECTRICAL SPECIFICATIONS

| | |
|--|------------|
| Recommended anode resistor (meg ohm) | 1 |
| Recommended operating voltage (volts) | 900 |
| Operating voltage range (volts) | 850 - 1000 |
| Maximum plateau slope (%/100 volts) | 10 |
| Minimum dead time (micro sec) | 100 |
| Gamma sensitivity Co60 (cps/mr/hr) | 12 |
| Tube capacitance (pf) | 3 |
| Weight (grams) | 20 |
| Maximum background shielded 50mm Pb + 3mm Al (cpm) | 15 |
| Maximum starting voltage (volts) | 800 |

WALL SPECIFICATIONS

| | |
|-------------------------------------|-------------|
| Areal density (mg/cm ²) | 40-60 |
| Thickness (inch/mm) | 0.003/0.076 |



GAMMA SENSITIVITY

TUBE TYPE - 720

