

---

**713 Thin Wall Beta-Gamma Detector**

---

***GENERAL SPECIFICATIONS***

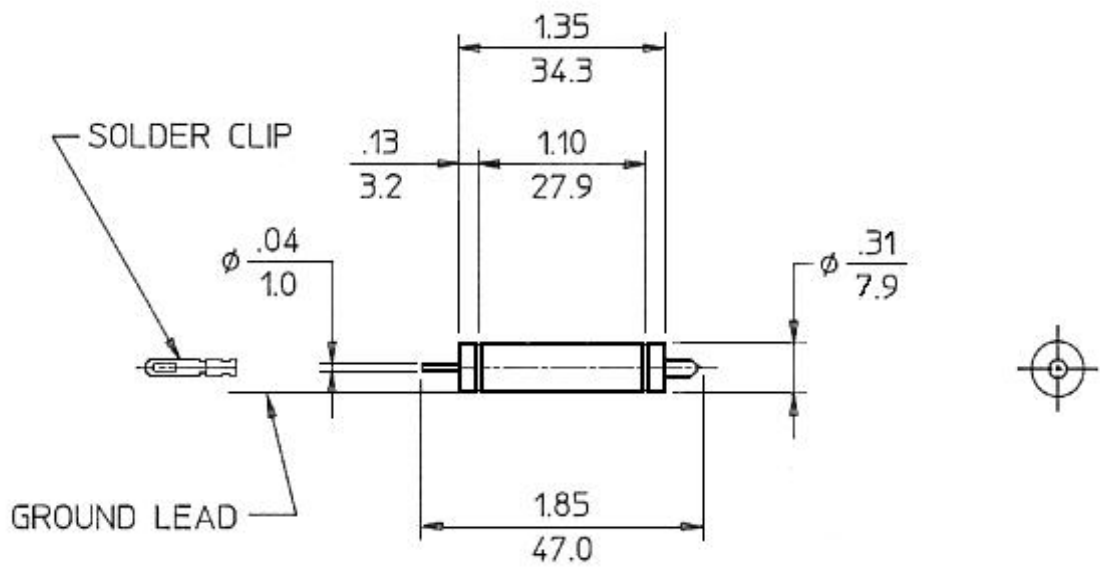
Gas filling	Ne +Halogen
Cathode material	446 Stainless Steel
Maximum length (inch/mm)	1.85/47.0
Effective length (inch/mm)	1.10/27.9
Maximum diameter (inch/mm)	0.36/9.3
Effective diameter (inch/mm)	0.306/7.77
Connector	Pin
Operating temperature range °C	-40 to +75

***ELECTRICAL SPECIFICATIONS***

Recommended anode resistor (meg ohm)	4.7
Minimum anode resistor (meg ohm)	2.2
Recommended operating voltage (volts)	500
Operating voltage range (volts)	450 - 650
Maximum plateau slope (%/100 volts)	8
Minimum dead time (micro sec)	45
Gamma sensitivity Co60 (cps/mr/hr)	7.5
Tube capacitance (pf)	3
Weight (grams)	
Maximum background shielded 50mm Pb + 3mm Al (cpm)	4

***WALL SPECIFICATIONS***

Areal density (mg/cm <sup>2</sup> )	30
Thickness (inch/mm)	0.002/0.05



GAMMA SENSITIVITY

TUBE TYPE - 713

