

**7149 Energy Compensated Gm Detector*****GENERAL SPECIFICATIONS***

Gas filling	Ne +Halogen
Cathode material	446 Stainless Steel
Maximum length (inch/mm)	1.26/32.1
Effective length (inch/mm)	0.63/15.9
Maximum diameter (inch/mm)	0.38/9.7
Effective diameter (inch/mm)	0.19/4.83
Connector	Pin
Operating temperature range °C	-40 to +75

***ELECTRICAL SPECIFICATIONS***

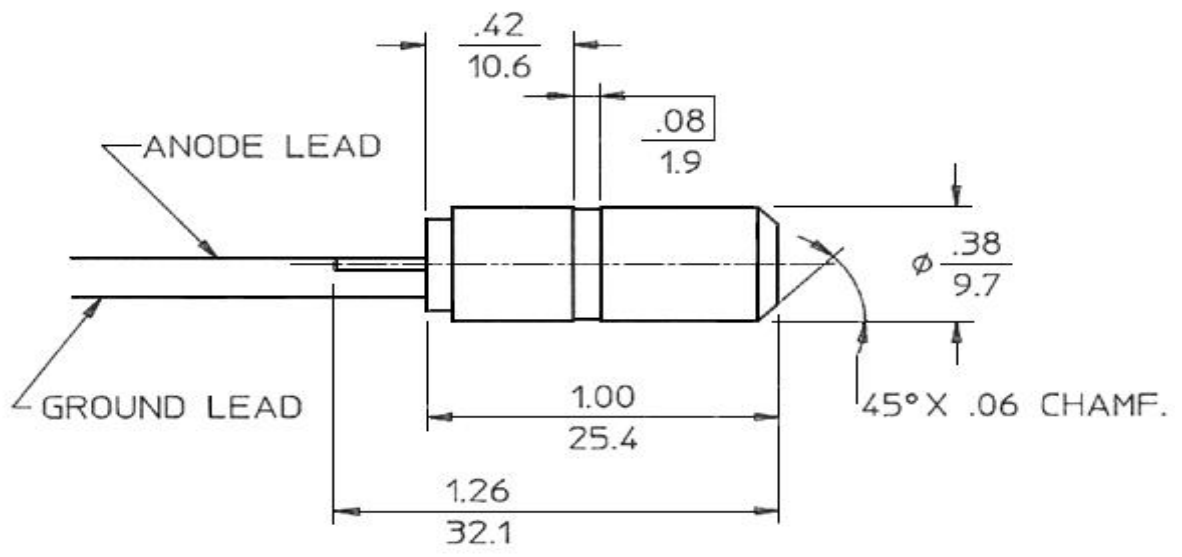
Recommended anode resistor (meg ohm)	3.3
Maximum starting voltage (volts)	380
Recommended operating voltage (volts)	500
Operating voltage range (volts)	450 - 650
Maximum plateau slope (%/100 volts)	15
Minimum dead time (micro sec)	15
Gamma sensitivity Co60 (cps/mr/hr)	1.5
Tube capacitance (pf)	3
Weight (grams)	
Maximum background shielded 50mm Pb + 3mm Al (cpm)	2
Minimum anode resistor (meg ohm)	2.2

***FILTER SPECIFICATIONS***

Material	Sn
Thickness (inch/mm)	0.08/2.0

***WALL SPECIFICATIONS***

Areal density (mg/cm <sup>2</sup> )	100
Thickness (inch/mm)	0.005/0.13



GAMMA SENSITIVITY

TUBE TYPE - 7149

