



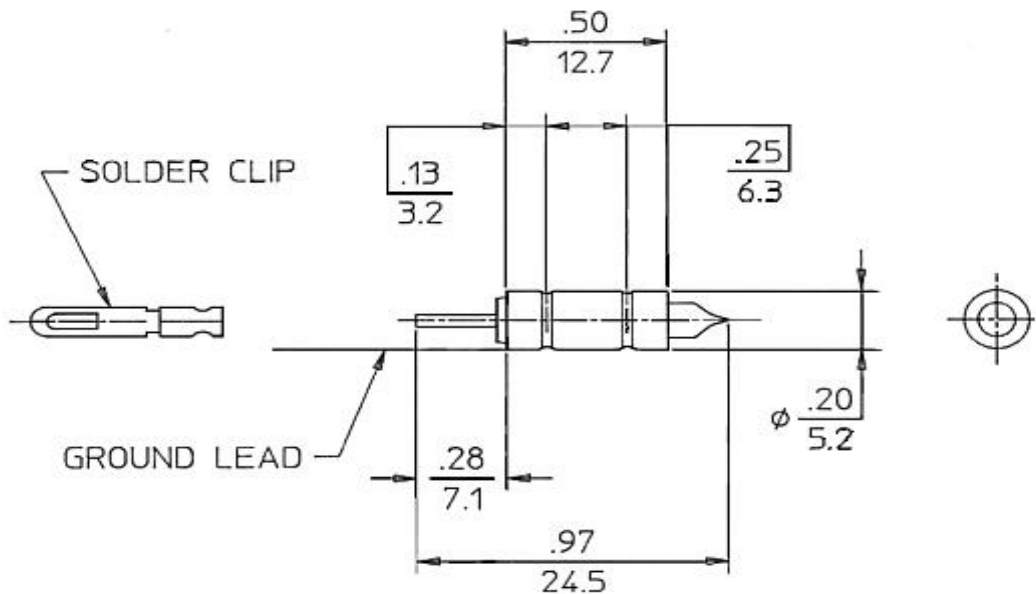
## 716 Gamma Detector

### GENERAL SPECIFICATIONS

Gas filling	Ne +Halogen
Cathode material	446 Stainless Steel
Maximum length (inch/mm)	0.97/24.5
Effective length (inch/mm)	0.25/6.4
Maximum diameter (inch/mm)	0.20/5.2
Connector	Pin
Operating temperature range °C	-40 to +75
Effective diameter (inch/mm)	0.19/4.83

### ELECTRICAL SPECIFICATIONS

Recommended anode resistor (meg ohm)	4.7
Maximum starting voltage (volts)	400
Recommended operating voltage (volts)	500
Operating voltage range (volts)	450 - 650
Maximum plateau slope (%/100 volts)	30
Minimum dead time (micro sec)	18
Gamma sensitivity Co60 (cps/mr/hr)	0.26
Tube capacitance (pf)	3
Weight (grams)	
Maximum background shielded 50mm Pb + 3mm Al (cpm)	1
Minimum anode resistor (meg ohm)	2.2



# GAMMA SENSITIVITY

TUBE TYPE - 716

