
71322 Energy Compensated Gm Detector

GENERAL SPECIFICATIONS

Gas filling	Ne +Halogen
Cathode material	446 Stainless Steel
Maximum length (inch/mm)	1.79/45.4
Effective length (inch/mm)	1.1/27.9
Maximum diameter (inch/mm)	0.48/12.2
Effective diameter (inch/mm)	0.308/7.82
Connector	Pin
Operating temperature range °C	-40 to +75

ELECTRICAL SPECIFICATIONS

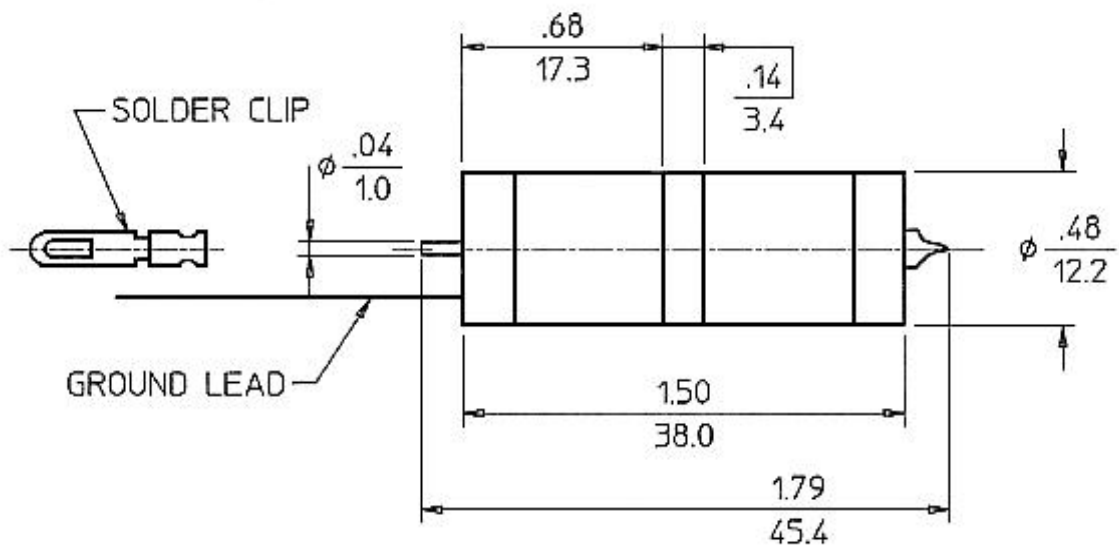
Recommended anode resistor (meg ohm)	3.3
Maximum starting voltage (volts)	380
Recommended operating voltage (volts)	500
Operating voltage range (volts)	450 - 650
Maximum plateau slope (%/100 volts)	8
Minimum dead time (micro sec)	45
Gamma sensitivity Co60 (cps/mr/hr)	7.5
Tube capacitance (pf)	3
Weight (grams)	23.0
Maximum background shielded 50mm Pb + 3mm Al (cpm)	4
Minimum anode resistor (meg ohm)	2.2

FILTER SPECIFICATIONS

Material	Sn
Thickness (inch/mm)	0.08/2.0

WALL SPECIFICATIONS

Areal density (mg/cm ²)	40
Thickness (inch/mm)	0.002/0.05



GAMMA SENSITIVITY

TUBE TYPE - 71322

