
72511 Thin Wall Beta-Gamma Detector

GENERAL SPECIFICATIONS

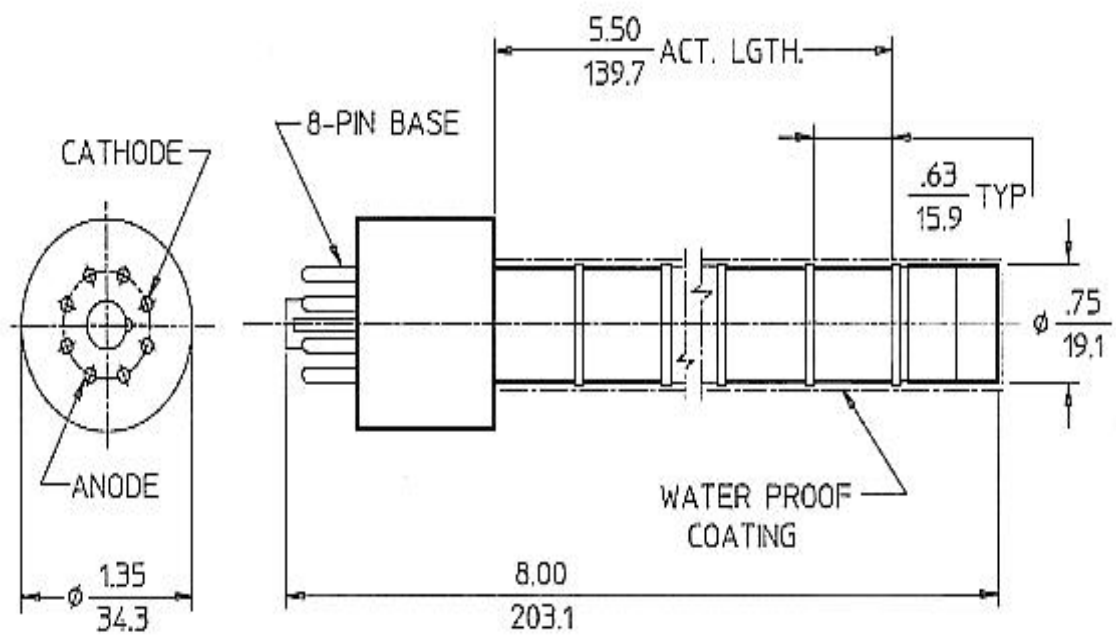
Gas filling	Ne +Halogen
Cathode material	446 Stainless Steel
Maximum length (inch/mm)	8.00/203.1
Effective length (inch/mm)	5.5/139.7
Maximum diameter (inch/mm)	1.35/34.3
Effective diameter (inch/mm)	0.73/18.4
Connector	Octal 8 Pin Base
Operating temperature range °C	-40 to +75

ELECTRICAL SPECIFICATIONS

Recommended anode resistor (meg ohm)	3.3
Recommended operating voltage (volts)	500
Operating voltage range (volts)	450 - 650
Maximum plateau slope (%/100 volts)	10
Minimum dead time (micro sec)	100
Gamma sensitivity Co60 (cps/mr/hr)	90
Tube capacitance (pf)	4
Weight (grams)	70
Maximum background shielded 50mm Pb + 3mm Al (cpm)	30
Maximum starting voltage (volts)	400

WALL SPECIFICATIONS

Areal density (mg/cm ²)	40-60
Thickness (inch/mm)	0.003/0.076



GAMMA SENSITIVITY

TUBE TYPE - 72511

